

01. FRAME

STEP/ BY STEP

01. FRAME / PROJECTOR SCREEN

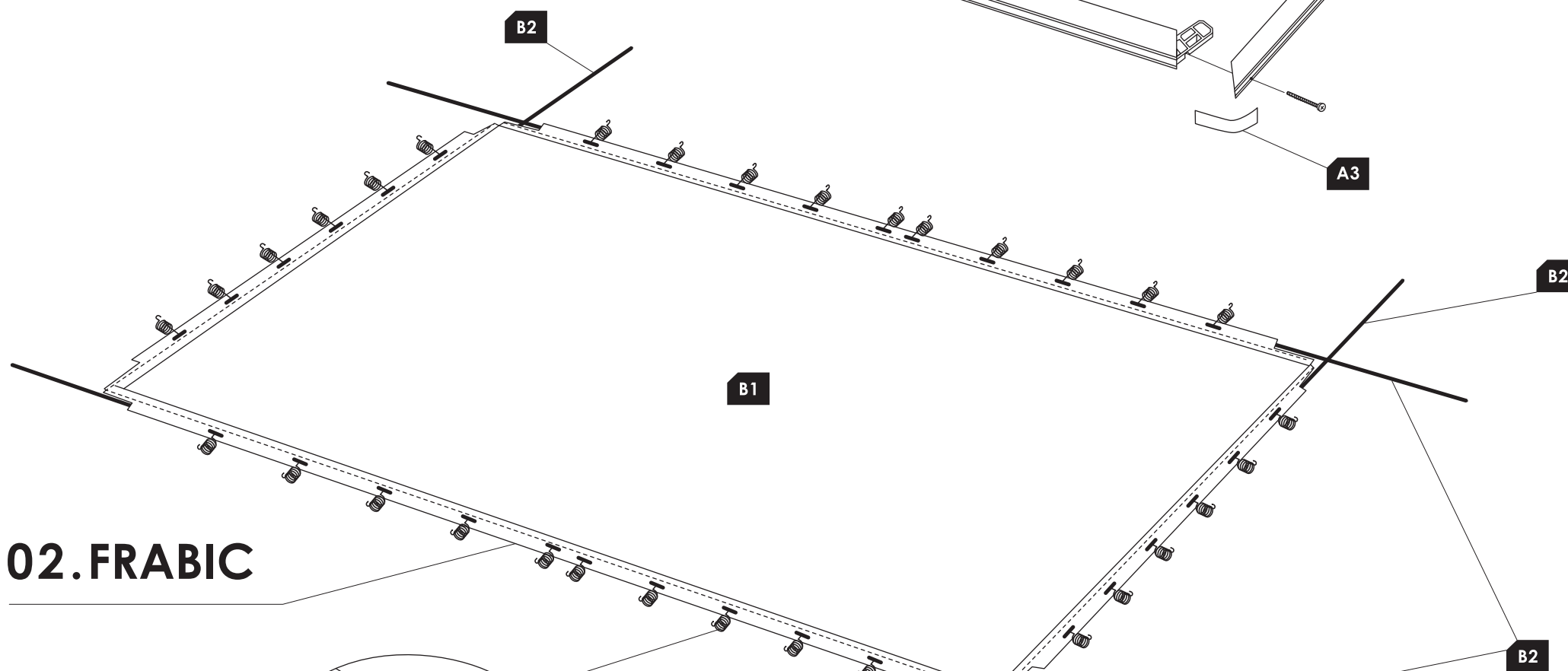
A1 : Assemble the edges of the projector screen on all sides.
A2 : Assemble the projector centerpiece.
A3 : Sticker on the edges of the projector Screen.

A1 : ประกอบกรอบจอโปรเจคเตอร์ทั้ง 4 ด้าน
A2 : ประกอบแกนกลางจอโปรเจคเตอร์
A3 : ติดสติ๊กเกอร์ก้ำมเหยื่อจอโปรเจคเตอร์ทั้ง 6 ตำแหน่ง

A1 : L p các cạnh c a màn hình máy chi u lên t t c các m t.
A2 : L p ráp máy chi u trung tâm.
A3 : Sticker trên các c nh c a màn hình Máy chi u.

A1 : I-assemble ang mga gilid ng screen ng projector sa lahat ng panig.
A2 : Magtipun-tipon ang projector centerpiece.
A3 : Sticker sa mga gilid ng Screen ng projector.

A1 : 装配所有四面投影机屏幕的边缘
A2 : 组装投影机中心。
A3 : 贴在投影机屏幕的边缘。



02. FRABIC

02. FRABIC / PROJECTOR SCREEN

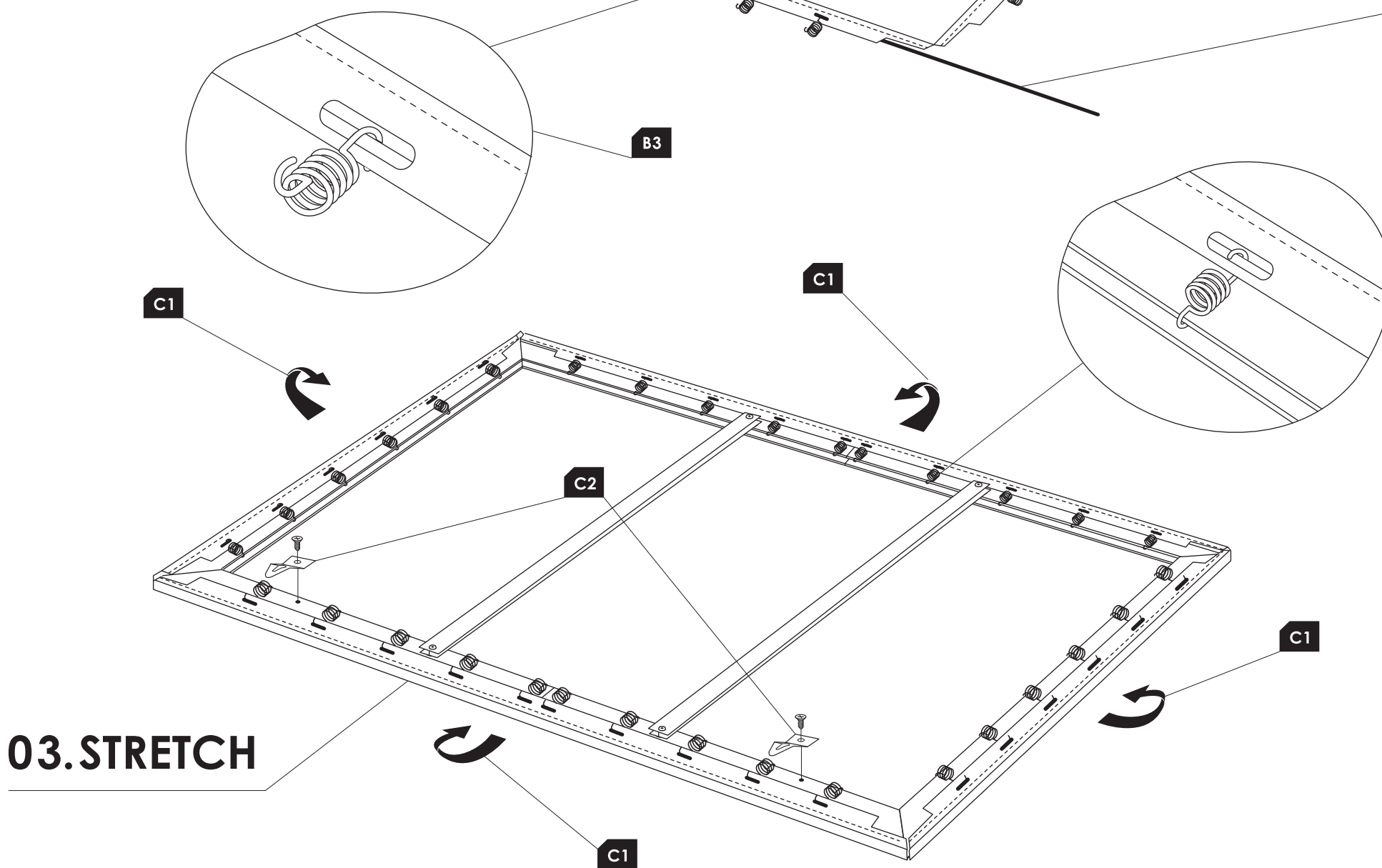
B1 : Position the frabic projector screen to the center of the frame.
B2 : Insert the metal line into the edge of frabic screen on all sides.
B3 : Install material to fix the fabric screen at all positions.

B1 : วางตำแหน่งผ้าจอโปรเจคเตอร์กกลางกรอบจอโปรเจคเตอร์
B2 : สอดแกนโลหะ ขอบผ้าจอโปรเจคเตอร์ ทั้ง 4 ด้าน
B3 : ติดตั้งอุปกรณ์ดิ่งขอบผ้าจอโปรเจคเตอร์ ทุกตำแหน่ง

B1 : Ilagay ang tela ng projector screen sa gitna ng frame.
B2 : Ipasok ang metal na linya sa gilid ng tela screen sa lahat ng panig.
B3 : I-install ang materyal upang ayusin ang tela screen sa lahat ng mga posisyon.

B1 : Đ t màn hình máy chi u v i trong trung tâm khung.
B2 : L p đ ng kim loại vào mép v i màn hình c a t t c các bên.
B3 : Cài đ t v t i u đ sa màn v i t t c v trí.

B1 : 将屏幕投影机屏幕放在投影机屏幕的中央。
B2 : 将金属线插入所有四边的织物边缘边缘。
B3 : 安装材料以将织物屏幕固定在所有位置。



03. STRETCH

03. STRETCH / PROJECTOR SCREEN

C1 : Pull the fabric and hook to the edge of the screen.
C2 : Install the hanger of the projector screen.

C1 : พับผ้าพร้อมดิ่งผ้าและเกี่ยวตะขอกับขอบจอ ดังภาพ
C2 : ติดตั้งที่แขวนจอโปรเจคเตอร์

C1 : Hilahin ang tela at kawit sa gilid ng screen.
C2 : Iinstall ang hanger ng screen ng projector.

C1 : Kéo v i và móc vào c nh màn hình.
C2 : Cài đ t cái móc c a màn hình máy chi u.

C1 : 将织物拉到屏幕的边缘如图。
C2 : 安装投影机屏幕的衣架。

04. EDGE

04. EDGE / PROJECTOR SCREEN

D1 : Assemble the edges of the projector screen.

D1 : ประกอบขอบจอโปรเจคเตอร์

D1 : L p ráp các c nh c a màn hình máy chi u.

D1 : Magtipun-tipon ang mga dulo ng screen ng projector.

D1 : 组装投影机屏幕的边缘。

! WARNING : Do not install while children are present.

• FLAT / L/S •

FLAT
SMALL EDGE

saho

Manual Guide

คู่มือ

Hướng dẫn sử dụng

Mano-manong

手动指南